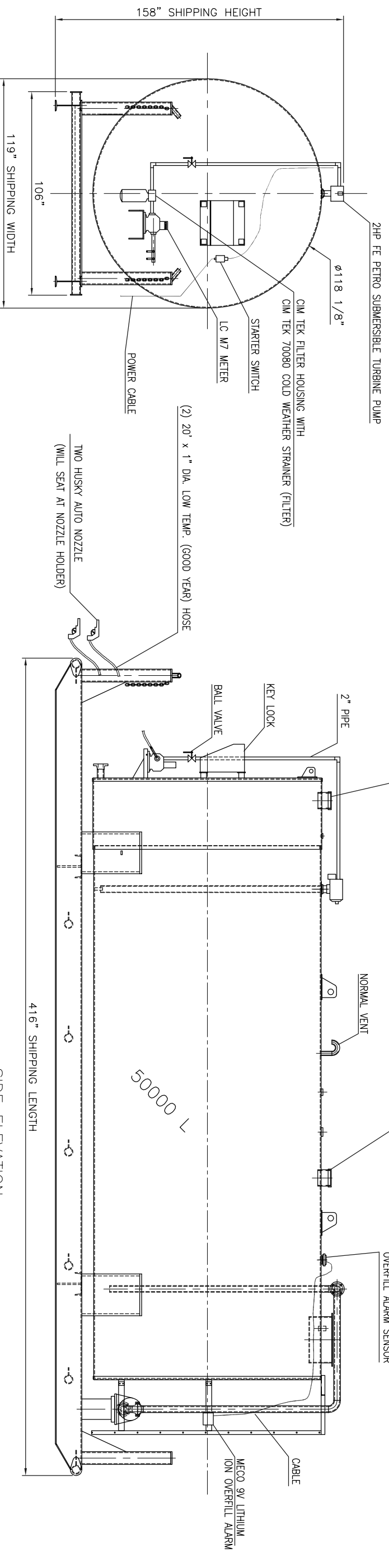


TOP VIEW



END VIEW

SIDE ELEVATION

0	ISSUE FOR APPROVAL	DEC. 5, 08	AP	TD
REV.	DESCRIPTION	DATE	DRAWN	APPRD.
<input type="checkbox"/> QUOTE <input type="checkbox"/> CONSTRUCTION <input type="checkbox"/> INFORMATION		ISSUED FOR	DATE:	
TANKS DIRECT 11735, 231 STREET EDMONTON, AB T5S 2G5				
TANKS direct				
ULC S601/S653 GENERAL ARRANGEMENT 50,000 LTRS				
W.O. NO.	NO. OF	DRAWING NO.	REV.	
TD-0001	ONE	50000-LTRS-KEY	BO	

SCALE: N.T.S. FILE NAME : 50000-LTRS-KEY