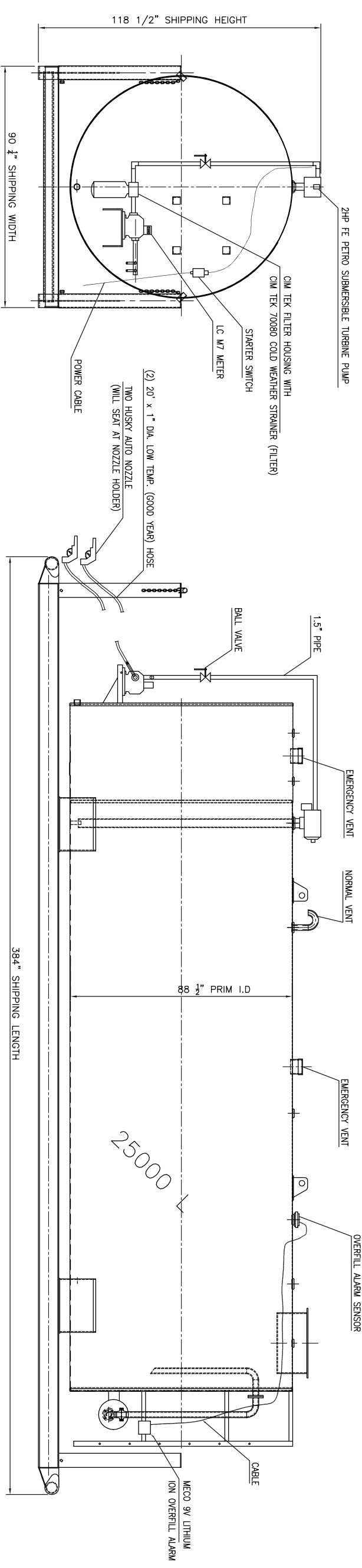


TOP VIEW



SIDE ELEVATION

END VIEW

0	ISSUE FOR APPROVAL	DEC. 5, 08	AP	TD
REV.	DESCRIPTION	DATE	DRAWN	APPRD.
ISSUED FOR		DATE:		
<input type="checkbox"/> QUOTE <input type="checkbox"/> CONSTRUCTION		<input type="checkbox"/> INFORMATION		
TANKS DIRECT 11735, 231 STREET EDMONTON, AB T5S 2G5				
UIC: S601/S653 GENERAL ARRANGEMENT 25000 LTRS				

W.O. NO.	NO. OF	DRAWING NO.	REV.
TD-0001	ONE	25000-LTRS-004	R0

SCALE: NIS FILE NAME : 25000-LTRS-004

